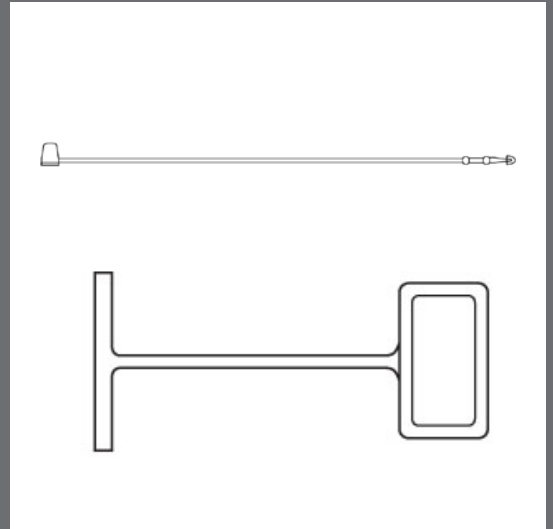


# Tagging & Labeling



# CONTACT INFORMATION

## Head Office & Administration

5757 Thimens Boulevard  
St. Laurent, Québec  
H4R 2H6

Tel: (514) 335-0333

Fax: (514) 335-9341

Tel: (800) 361-9410

Fax: (800) 563-1363



<https://ecom.dorfin.com>

### Would you like to place your orders online?

Our ecommerce website enables you to view all Packaging & Retail products available at Dorfin, and place your orders online 24 hours a day. It has been designed and programmed to be responsive to whichever device you use, so you can place your orders from your computer, your mobile phone or tablet. The site will resize itself to fit the size of the screen that you are using.

If you already have an account with Dorfin Inc, please visit our ecommerce site to sign-up for an online account, or contact your dedicated sales representative for more details.

### Website / eCommerce

<http://www.dorfin.com>

<https://ecom.dorfin.com>

### email

[orders@dorfin.com](mailto:orders@dorfin.com)



# Custom Sourcing

## Work with DORFIN.... Let us be your global sourcing partner!

You have mastered your industry, and know your products better than anyone. Let our sourcing experts concentrate on expanding your global network to maximize your profits.

We source products through established relationships with domestic and international suppliers. We continuously source globally for new relationships with factories around the world. Our team will meet with you to collaborate and analyse your project to create the best possible solution. In other words, we'll do what you require and surpass your expectations.

We understand that all customers are unique, and that their needs can even differ within each division of their organization. Dorfin offers the resources to create personal concepts for our clients based on their specifications, so our clients receive made-to-order solutions. Once sourced and customized, our art house will design the packaging for your private label or brand.

With over 60 years of experience we have developed an expertise in overseas sourcing that allows us to ease the purchasing and logistic process and assures quality control that will meet the most rigorous specifications.

- We work with retailers and source customized products for resale.
- We work with the food service industry to develop products for use in their food service facilities.
- We work with distributors in the packaging industry to source customized products for them to resell to their customers.
- We ensure our customers are offered turnkey solutions for their custom sourcing needs.



### EDI

Dorfin offers its trading partners all of the benefits of eCommerce, including an information-rich web site with on-line ordering, product inquiry and account verification, EDI (electronic data interchange), and e-mail. We look forward to partnering with our customers in any way convenient to you, using the latest standards to enhance the efficiency of doing business. Please call our customer sales and service department for details or visit us on the web at [www.dorfin.com](http://www.dorfin.com).

### TERMS AND CONDITIONS

#### Ordering :

To ensure accurate receipt of what you are ordering, please specify page number, product codes, stock numbers, and description including colour, size and thickness.

#### Pricing :

Pricing does not include all applicable taxes. Pallet charges are extra.

#### FOB's :

Our FOB policy for Montreal, Ottawa, Toronto, Quebec City and the Eastern Townships is subject to a minimum dollars amount and product mix. Orders under minimum are shipped collect or prepaid and charge.

#### Payment :

Visa and Master Card are gladly accepted. For customers who wish to have an open account status, please call us or e-mail us and we will be happy to fax or e-mail you a credit application form. Upon receipt of favourable information concerning the credit verification, your account will be opened. Our terms are net 30 days.

#### Shipping :

Please specify if we should ship complete, or in part, in the event of a back-ordered item(s). If you prefer that we cancel any back ordered items at time of shipment, please specify this at time of order.

#### Returned Merchandise Procedure:

The buyer must contact Dorfin's customer service department for a returned merchandise authorization and shipping instructions prior to returning any products. All returns must be shipped prepaid, in resalable condition, in original carton(s) where applicable and are subject to issuance of a credit or refund. Handling charge could be 20% or more depending upon the circumstances. No returns will be accepted after 30 days. Customized goods are not returnable unless deemed to be defective or not as ordered.



**Do you need ties for your electrical equipment, plumbing, electronic telecommunications, transportation maintenance department, or warehouse production floor?**

- Cable ties are available from 3-1/4" to 48" in natural, black, white or custom colours upon special request
- With tensile strength ratings up to 175 lbs
- They are available in a variety of miniature, slim line, intermediate, standard, heavy Duty and extra heavy duty strengths
- We can print your name, logo or serial number on any size
- Manufactured from Type 6/6 Nylon. This material is noted for its toughness, impact strength, resistance to abrasion and chemicals, and versatility in a variety of applications. Nylon 6/6 is the material of choice per military specifications.

Code	Description	Dimensions	Type	Colour	Units	Case
2230010	Cable Tie - Miniature	4"	18 lbs Tensile Strength	Natural	100	50
2230030	Cable Tie - Slim Line	8"	18 lbs Tensile Strength	Natural	100	50
2230045	Cable Tie - Intermediate	5.5"	40 lbs Tensile Strength	Natural	1000	5
2230050	Cable Tie - Intermediate	8"	40 lbs Tensile Strength	Natural	1000	5
2230100	Cable Tie - Standard	7.5"	50 lbs Tensile Strength	Natural	1000	5
2230105	Cable Tie - Standard	7.5"	50 lbs Tensile Strength	Black	1000	5
2230110	Cable Tie - Standard	8"	50 lbs Tensile Strength	Natural	1000	5
2230115	Cable Tie - Standard	11"	50 lbs Tensile Strength	Natural	1000	5
2230117	Cable Tie - Standard	11"	50 lbs Tensile Strength	Black	1000	5
2230120	Cable Tie - Standard	14.5"	50 lbs Tensile Strength	Natural	1000	5
2230130	Cable Tie - Standard	17"	50 lbs Tensile Strength	Natural	100	50
2230150	Cable Tie - Heavy Duty	13.5"	120 lbs Tensile Strength	Natural	100	10
2230155	Cable Tie - Heavy Duty	15"	120 lbs Tensile Strength	Natural	100	10
2230200	Cable Tie - Extra Heavy Duty	21-11/16"	120 lbs Tensile Strength	Natural	100	10
2230205	Cable Tie - Extra Heavy Duty	24"	175 lbs Tensile Strength	Natural	100	10
2230210	Cable Tie - Extra Heavy Duty	28"	175 lbs Tensile Strength	Natural	100	10
2230230	Cable Tie - Extra Heavy Duty	36"	175 lbs Tensile Strength	Natural	50	10
2230235	Cable Tie - Extra Heavy Duty	48"	175 lbs Tensile Strength	Natural	50	10



## 1 Line Hand Labelers

- Prints 1 line, 6 characters per line (4 large type + 2 small type underlined)
- Prints clear, crisp prices on a variety of labels or date-coding

- Need help with SKU control, department identification, cost coding or season coding?
- Available in One-Line, Two-Line and Three-Line Hand Labelers with varied features available
- Many different styles, stock prints or colours of labels are available for each model of hand labeler
- Permanent or removable adhesives available

**Call us today for more information on what will best suit your needs**



## 2 Line Hand Labeler - L56 & L57

- Prints 2 lines, 8 characters per line
- This versatile tool is ideal for price marking and product identification



Code	Description	Type	Colour	Model	Units	Case
2232001	Hand Labeler - Tag Easy	L25		#H01108		1
2232005	Hand Labeler - Mighty One	L25		#H09146		1
2232008	Hand Labeler #106	L21		#H06241		1
2232009	Ink Roller	L21	Black	#H89891		1
2232010	Gun Labeler #216			#H06396		1
2232016	Ink Refills - 9 ml		Black	#H89892	5	1
2232018	Gun Labeler #210			#H06220		1
2232022	Ink Roller	L21	Red	#H89898		5



Code	Description	Dimensions	Type	Colour	Model	Units	Case
2232055	Removable adhesive labels - NT	0.64" x 0.71"	L57	White	#T06299	1000	40
2232057	Permanent adhesive labels - TP	0.64" x 0.71"	L57	Red	#T92044	1000	40
2232060	Permanent adhesive labels - TP	0.71" x 0.64"	L56	White	#T06278	1250	40
2232070	Permanent adhesive labels - TP	0.64" x 0.71"	L56	Orange	#T92201	1250	50
2232075	Removable adhesive labels - NT	0.71" x 0.64"	L56	Red	#T06279	1250	40
2232080	Permanent adhesive labels - TP	0.71" x 0.41"	L21	White	#T06202	1000	54
2232085	Permanent adhesive labels - TP	0.71" x 0.41"	L21	Red	#T06206	1000	54
2232091	Permanent adhesive labels - TP	0.85" x 0.48"	L25	White	#T09140	1500	28
2232101	Permanent adhesive labels - TP	0.85" x 0.48"	L25	Red	#T09141	1500	28
2232111	Permanent adhesive labels - TP	0.85" x 0.48"	L25	Yellow	#T09142	1500	28



# Tag Guns and Attachments

Avery Dennison's proprietary stretching technology produces exceptionally strong yet flexible fasteners

## Secur-a-tach Fasteners

- Perfect for tagging hard goods
- Fast, economical and secure, the operator simply inserts the tail of the fastener into the head for a secure lock, without tools or needles

## Secur-a-tie Fasteners

- Ideal for securing and tamper evidence
- Its design permits you to adjust the diameter up to the minimum bundle, but it will not allow it to be loosened or opened without evidence of tampering

## Hook-Tach Fasteners

- Mostly used as a mini-hanger for soft goods, such as caps, socks, gloves and scarves. Use with a standard pistol grip hand gun

Colour: Natural

Tensile Strength: 8 to 15 lbs



## A COMPLETE LINE OF FASTENING AND TAGGING SYSTEMS FOR THE MANUFACTURING AND RETAIL INDUSTRY

### MANUAL ATTACHMENTS AND HAND GUNS



Secur-a-tach Fasteners



Secur-a-tie Fasteners



Hook-tach Fasteners

## Standard Swiftachment Fasteners

General Purpose fasteners offer the greatest versatility and variety of fasteners for tag attaching, pairing, bundling and closure applications



## Swiftachment System 1000

Large paddle fasteners prevent ticket switching and have no waste strip to discard when the operator is finished

## Fine Fabric Swiftachment Fasteners

Swiftach Fine Fabric™ Fasteners help prevent damage to expensive garments or injury to your customers during removal



Code	Description	Dimensions	Type	Colour	Model	Units	Case
2225135	Swiftach	2"	Nylon	Natural	#08285	5000	10
2225150	Swiftach - Fine Fabric	3/4"	Nylon	Natural	#08938	5000	10
2225170	Swiftach - Fine Fabric	2"	Polypropylene	Natural	#50FFPP-TE	5000	10
2225300	Swiftach	1/2"	Polypropylene	Natural	#15PP-TE	5000	10
2225310	Swiftach	1"	Polypropylene	Natural	#25PP-TE	5000	10
2225315	Swiftach	1"	Polypropylene	Natural	#08960	5000	10
2225320	Swiftach	2"	Polypropylene	Natural	#50PP-TE	5000	10
2225330	Swiftach	3"	Polypropylene	Natural	#75PP-TE	5000	10
2225335	Swiftach	3"	Polypropylene	Natural	#08952-0	5000	10
2228140	Secur-Tach	3"	Polypropylene	Natural	#85ATACH-TE	5000	10
2228150	Secur-Tach	5"	Polypropylene	Natural	#135ATACH-TE	5000	10
2228225	Secur-A-Tie	5"	Nylon	Natural	#08350-0	5000	10
2228227	Secur-A-Tie	5"	Nylon	Natural	#KST5	5000	20
2228340	Hook-Tach	2"	Polypropylene	Natural	#08902-2	5000	10

## Mark II & Mark III Hand Guns/Tools

Avery Dennison invented high productivity tagging and our tools continue to set industry standards for quality and dependability. Lightweight, comfortable and easy to use, these tools are suitable for all general purpose applications.

### Mark III Pistol Grip Tool

- For general purpose fastening and tagging
- Ideal for tagging light to medium weight fabrics such as cotton, cotton twill or corduroy

### Mark III Fine Fabric Pistol Grip Tool

- Designed with a fine needle to greatly reduce the likelihood of holes and snags
- Ideal for tagging silk, satin, nylon, elastic, micro fibers, lycra, rayon, polyester, fine linens or infant wear



# AVERY DENNISON



Code	Description	Style
2220055	Mark III Fine Fabric Pistol Grip Gun (50 & 100 Clips)	10312
2220080	Mark II Standard Scissor Gun (50 Clips)	08945
2220090	Mark III Standard Pistol Grip Gun (50 & 100 Clips)	10651



## Tag Easy Pistol Grip Gun

Code	Description	Style
2220050	Tag Easy Fine Fabric Pistol Grip Gun	10678
2220095	Tag Easy Standard Pistol Grip Gun	10333



## Replacement Needles

Code	Description	Style	Case
2220310	Needle D-Regular Plastic Tip for Mark III Swiftacher	N-1-ST	4
2220320	Fine Fabric Needles for Mark III & Tag Easy	N-1-FF	4

Dorfin's philosophy of "What's In It For the Customer", combined with competitively priced quality products and highly skilled sourcing of custom products and solutions, is supported by a team of people who "do what we say we are going to do". This, along with our hands-on management team & ownership, has earned us the trust and privilege of being the business partner of choice to our customers.

- Over 60 years of service to our customers.
- "Easy to do business with" attitude.
- We listen to & understand your challenges while providing solutions as unique as you are.



5757 Thimens Boul.  
St. Laurent, Québec  
H4R 2H6



[www.dorfin.com](http://www.dorfin.com)



(514) 335-0333  
(800) 361-9410



(514) 335-9341  
(800) 563-1363



[info@dorfin.com](mailto:info@dorfin.com)  
[orders@dorfin.com](mailto:orders@dorfin.com)